

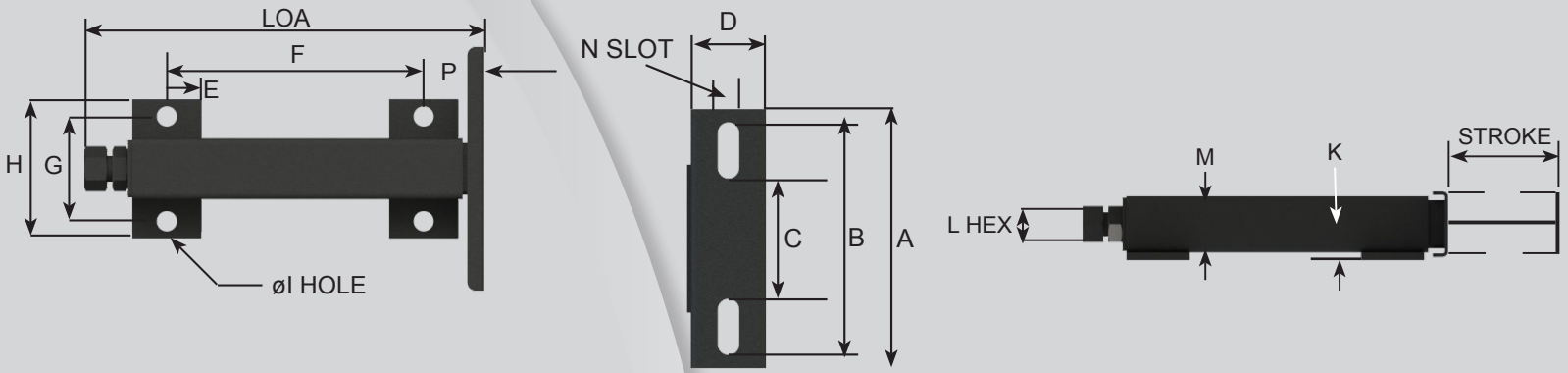
Bryant Standard Telescopers® have been engineered and designed to work with a large variety of standard pillow block bearings. Welded and constructed of either mild or stainless steel and correctly mounted to the tall end of conveyor they can provide years of maintenance free service. For special applications, many modifications can be made at the factory to standard Telescopers®, such as special mounting feet, special bearing plates, or a special means of adjusting. Special applications and options are nearly endless, see special application sheet and contact the factory for your special needs.

Standard Features

- **100 series**
 .625-11 UNC-2A adjusting rod
 Max holding force 700 pounds per Telescoper®
 150 pounds max cantilevered load per Telescoper®
- **250 series**
 .750-10UNC-2A adjusting rod
 Max holding force 1500 pounds per Telescoper®
 300 pounds max cantilevered load per Telescoper®
- **300 series**
 .875-9UNC-2A adjusting rod
 Max holding force 3000 pounds per Telescoper®
 600 pounds max cantilevered load per Telescoper®
- **350 series**
 .875-6 ACME adjusting rod
 Max holding force 7000 pounds per Telescoper®
 1000 pounds max cantilevered load per Telescoper®
- **400 series**
 1.250-5 ACME adjusting rod
 Max holding force 15,000 pounds per Telescoper®
 1500 pounds max cantilevered load per Telescoper®
- **500 series**
 2.250-4 ACME adjusting rod
 Max holding force 75,000 pounds per Telescoper®
 6000 pounds max cantilevered load per Telescoper®
- **500R series**
 Rectangular tube construction
 Engineered and built on special request

Select a Series Telescoper®

Bearing Bore	Standard Duty Bearings	Medium Duty Bearings	Heavy Duty Bearings
1/2 - 1	100		
1 1/16	250		
1 1/8	250		
1 3/16	250	250	
1 1/4	250	250	
1 5/16	250	250	
1 3/8	250	250	
1 7/16	250	250	350
1 1/2	250	350	350
1 9/16	250	350	350
1 5/8	250	350	350
1 11/16	250	350	350
1 3/4	250	350	350
1 15/16	300	350	350
2	300	350	350
2 3/16	300	350	400
2 1/4	300	350	400
2 7/16	300	350	400
2 1/2	300	350	400
2 11/16	300	400	400
2 3/4	300	400	400
2 15/16	300	400	400
3 - 3 3/16		400	400
3 7/16 - 3 1/2		400	500
3 15/16 - 10 1/2			500



HOW TO SPECIFY AND ORDER

STANDARD TELESCOPER DIMENSIONS FOR REFERENCE
 CONSULT WEBSITE OR FACTORY FOR SPECIFIC DIMENSIONS, PART MODELS AND DRAWINGS

Series	Stroke	Material MS/SS	MTG Feet	Bearing Plate	LOA	A	B	C	D	N	E	F min	F max	G	H	I	K	L	M	P
100	3	MS/SS	SF	BP	6.88	5.25	4.31	2.94	1.50	.44	.75	3.56	-	2.63	3.69	.56	.88	.94	1.25	1.47
	6				7.06							10.38								
	9				11.06							14.38								
250	3	MS/SS	SF	BP	8.50	7.00	5.69	3.81	2.04	.56	1.00	4.38	-	3.00	4.00	.56	1.13	1.13	1.75	1.75
	6				7.38							11.50								
	9				10.38							14.50								
	12				13.38							17.50								
300	6	MS	SF	BP	11.13	10.00	8.69	5.56	2.84	.68	1.25	6.13	-	4.00	5.25	.68	1.50	1.31	2.50	2.13
	9				10.13							11.13								
	12				14.13							19.13								
	18				21.13							26.13								
325	6	SS	SF	BP	12.75	10.00	8.69	5.56	2.84	.68	1.25	7.13	-	4.00	5.25	.68	1.50	1.31	2.50	2.69
	9				10.13							12.75								
	12				13.13							18.75								
	18				19.13							24.75								
350	9	MS	SF	BP	19.00	10.00	8.69	5.56	3.00	.68	1.25	12.63	13.00	4.50	5.75	.68	1.75	1.44	3.00	2.50
	12				15.63							16.00								
	18				21.63							22.00								
	24				27.63							28.00								
400	12	MS	SF	BP	27.75	14.00	11.75	8.50	3.50	.88	1.75	20.00	-	5.50	7.50	.88	2.13	2.00	3.50	3.50
	18				26.00							27.75								
	24				32.00							39.75								
500	18	MS	SF	BP	44.00	PER CUSTOMER SPECIFICATIONS					2.50	31.00	-	9.00	11.50	1.06	3.50	3.50	6.00	6.00
	24				37.00															
	36				49.00															

OTHER OPTIONS AND SPECIAL FEATURES AVAILABLE

CONSULT MANUFACTURER'S REP, DISTRIBUTOR OR FACTORY

