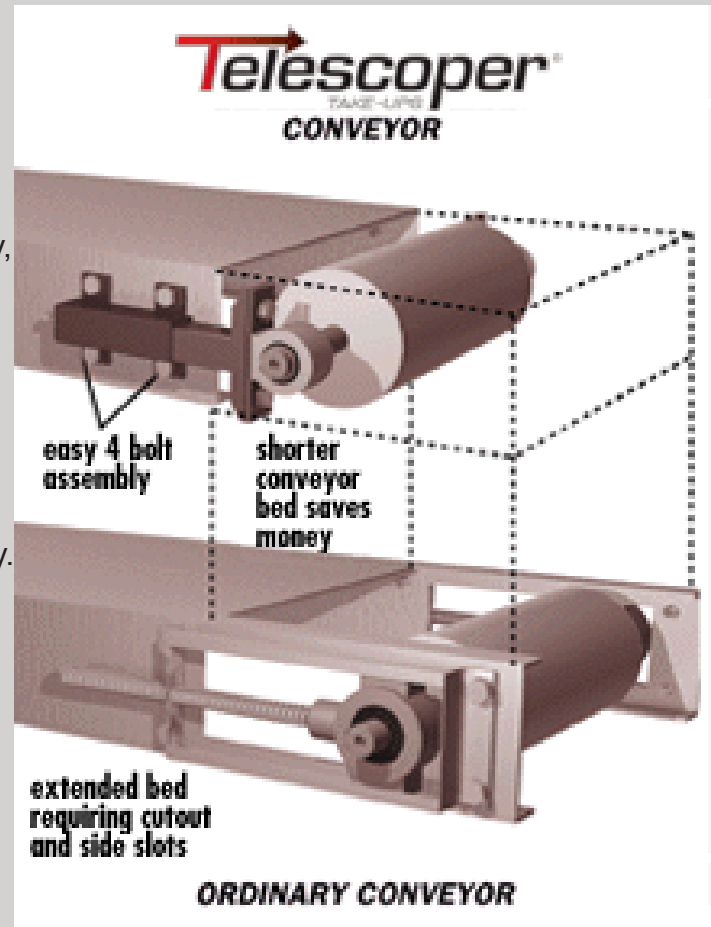


Telescopers® feature a sealed telescoping tube design, accept standard pillow block bearings, and are available in low carbon and stainless steel. Telescopers® offers you these advantages:

- Guarantees adjustment in contaminated environments
- Simplifies change out of bearings
- Allows the use of standard pillow block bearings
- Modular design is readily adapted to special application needs
- 5 year guarantee is unmatched

Telescopers® take-ups have set the standard for longevity, utility, and adaptability and have satisfied a large range of applications in unit handling and bulk materials systems. Telescopers® take-ups are available in sizes that can produce over 25,000 pounds of thrust in strokes up to 6 feet. We offer units with conventional screw drives, automatic take-ups with internal compression springs, and hydraulically or pneumatically actuated units. Insist on genuine Telescopers® brand take-ups from Bryant Products - The Best in the Industry.



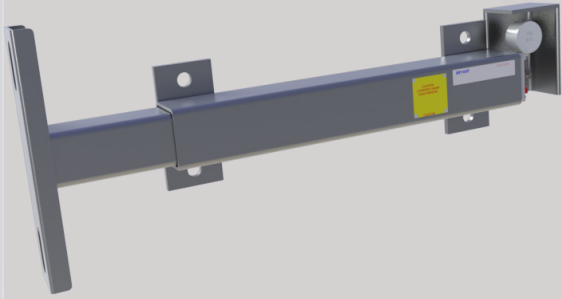
Telescopers
TAKE-UPS

Call 800-TAKEUP4

**Visit us on the web
www.bryantpro.com**

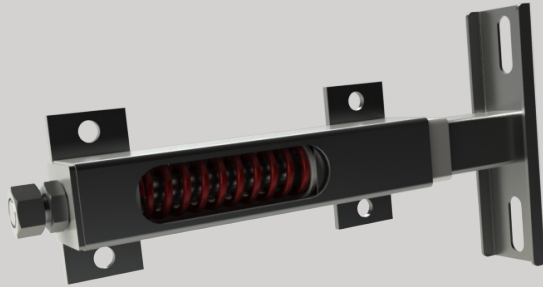
- Easy 4-bolt assembly to channel bed
- Uses standard 2-bolt pillow block bearing on pulley shaft for easy assembly even inside vulcanized belt loop.
- Sturdy, simple modular design for troublefree operation
- Threaded internal adjuster rod is totally enclosed and protected against product build-up, rust, corrosion, or thread damage
- Same day shipment on standard models
- Available in both mild steel and type 304 stainless steel
- Options available to meet your needs

Hydraulic Telescoper®



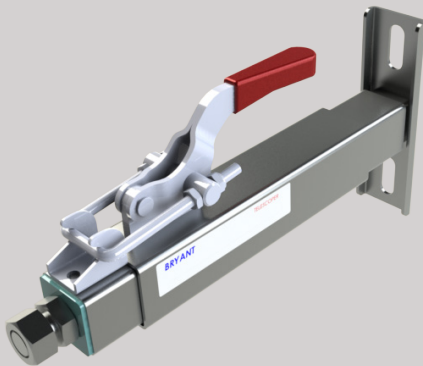
- Rigid precision tube-in-tube construction
- The cylinder is enclosed in the telescoping tubes and protected from the elements. 1000 hour salt spray resistance on powder coated mild steel units
- The ideal Telescoper® for applications where larger bearings, belts, and chains are used
- A perfect choice when extreme and accurate tensions are required or when local adjustment is impossible or undesirable.

Spring Compression Telescoper®



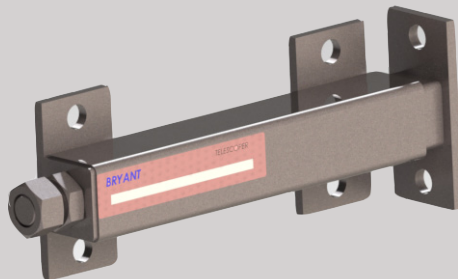
- Automatically compensates for belt or chain stretch and wear.
- Maintains belt tension under varying thermal conditions
- Improves the accuracy of belt scale readings
- Allows for the ingestion of debris between the return run of the belt and the pulleys without damage to the belt or frame components
- Accurately determines the thrust on the tail pulley
- Ideal for food processing applications

Quick Release Telescoper®



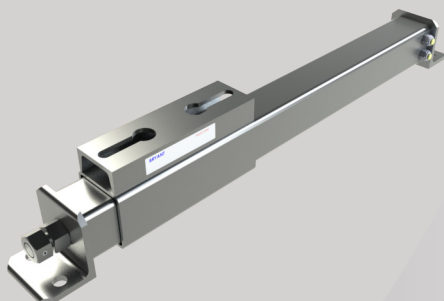
- Pull action toggle clamp tensions or slackens conveyor belt
- The ideal Telescoper® when you must clean under your conveyor belt daily, repair your conveyor belt in a hurry, or replace a conveyor chain that has jumped a tooth
- Available in stainless or low carbon steel
- Ideal for food processing applications

Tapped Base Telescoper®



- Combines the benefits of tapped base pillow block bearing mounting with Telescoper® advantages
- Mounts are available for all brands of blocks in bore sizes from 1/2" to 2-3/16"
- Special bore sizes available upon request
- Available in stainless and mild steel

Top Mount Telescoper®



- All of the advantages of the Bryant Telescoper® with the convenience of a bearing mount "over the tube."
- Adjusting rod is protected from material build-up, rust, corrosion, or thread damage
- Guaranteed in any operating environment