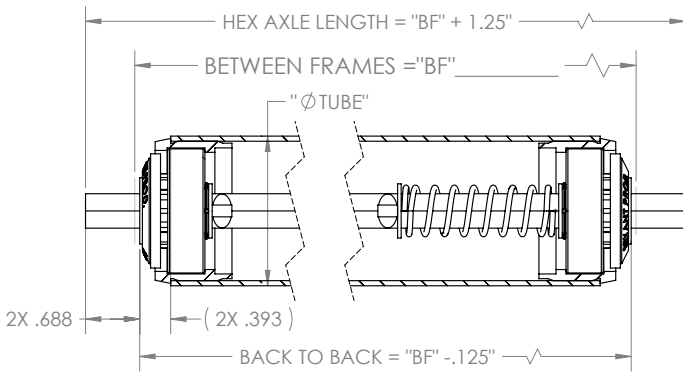


Straight Roller Assembly

Customer Specification / Order / Quote Form

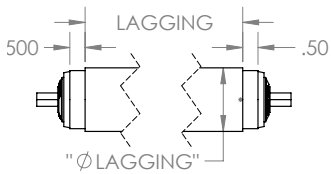
Standard Features

- Galvanized steel tube
- Plain steel 7/16 (.438) hex axle
- ABEC bearings in plastic adapters
- Spring loaded one end.
- Lagging black urethane 85 durometer or blue urethane 70 durometer

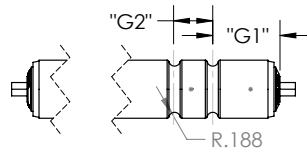


Additional Options

Lagging



Grooves



Additional Notes:

Company: _____

Email: _____

Contact Name: _____

Date Required: _____

Contact Number: _____

Quantity: _____

Customer Specifications

"Ø Tube" (Specify)

Ø 1.90

Ø 2.50

Other _____

Between Frames "BF" _____

"G1" _____

"G2" _____

"Ø Lagging" _____

Lagging Black 85

Lagging Blue 70