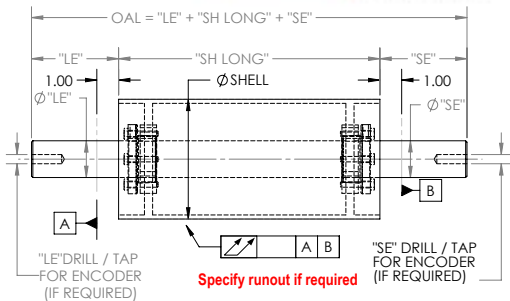


# Tail Pulley - Plain

Customer Specification / Order / Quote Form

## Standard Features

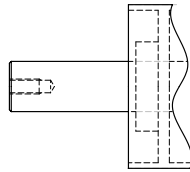
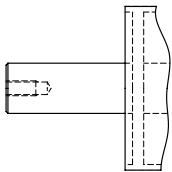
- Material: All steel construction
- Plain washer end plate, set screw hub, QD style hub and bushing set recessed .250 from end of shell



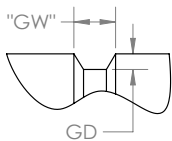
## Additional Options

Plain Washer

Hub and Set Screw



Center "V" Groove



## Customer Specifications

Customer Part# \_\_\_\_\_

"LE" \_\_\_\_\_

"Ø LE" \_\_\_\_\_

"SH LONG" \_\_\_\_\_

"Ø SHELL" \_\_\_\_\_

"FLAT" \_\_\_\_\_ TRAP CROWN \_\_\_\_\_

"SE" \_\_\_\_\_

"Ø SE" \_\_\_\_\_

"LE DRILL/TAP" \_\_\_\_\_

"SE DRILL/TAP" \_\_\_\_\_

"GW" \_\_\_\_\_ "GD" \_\_\_\_\_

Additional Notes:

Company: \_\_\_\_\_

Email: \_\_\_\_\_

Contact Name: \_\_\_\_\_

Date Required: \_\_\_\_\_

Contact Number: \_\_\_\_\_

Quantity: \_\_\_\_\_