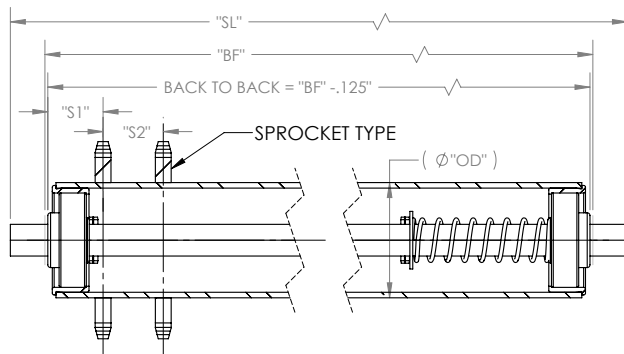


CDLR (Chain Driven Live Roller)

Customer Specification / Order / Quote Form

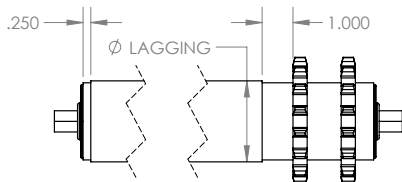
Standard Features

- Material all steel construction
- Standard hex axle 11/16 (.688)
- ABEC sealed precision bearings
- Lagging black urethane 85 durometer or blue urethane 70 durometer



Additional Options

Lagging



Additional Notes:

Customer Specifications

_____ "Ø OD"

_____ "BF"

_____ "SL"

Sprocket: Type _____ Number of teeth _____

"S1" _____

"S2" _____

"Axle Option"

Spring Loaded:

Non-Spring Loaded:

"Ø Lagging" _____

Lagging Black 85

Lagging Blue 70

Company: _____

Email: _____

Contact Name: _____

Date Required: _____

Contact Number: _____

Quantity: _____